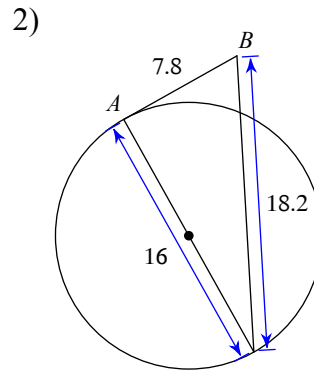
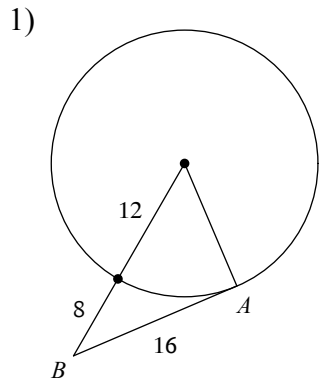
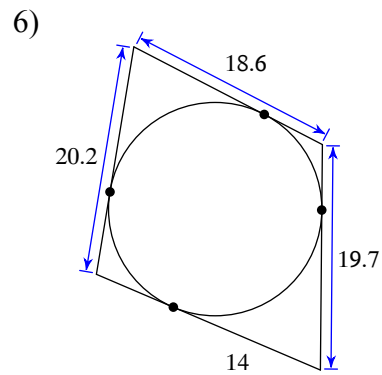
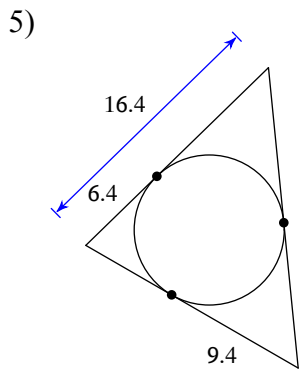
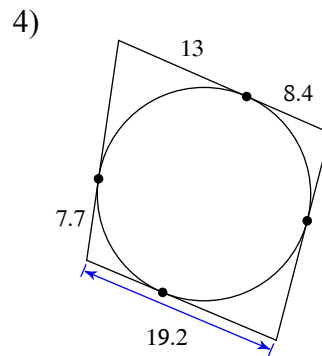
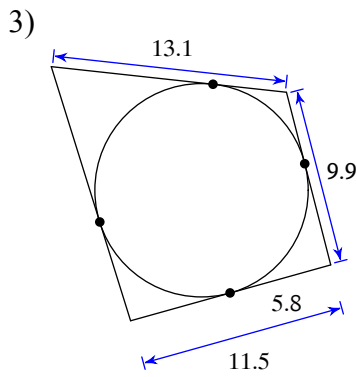


9.3 Tangents

Determine if line AB is tangent to the circle.



Find the perimeter of each polygon. Assume that lines which appear to be tangent are tangent.



Solve for x . Assume that lines which appear to be tangent are tangent.

